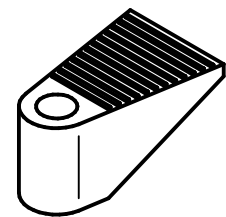
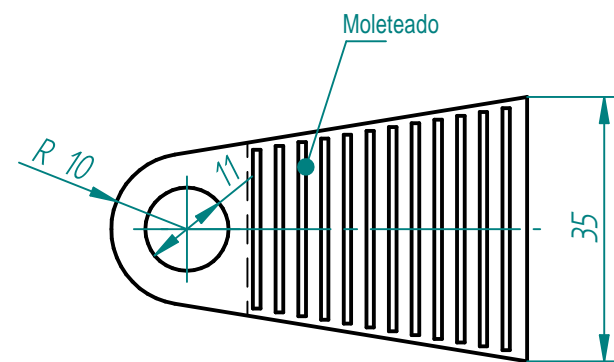
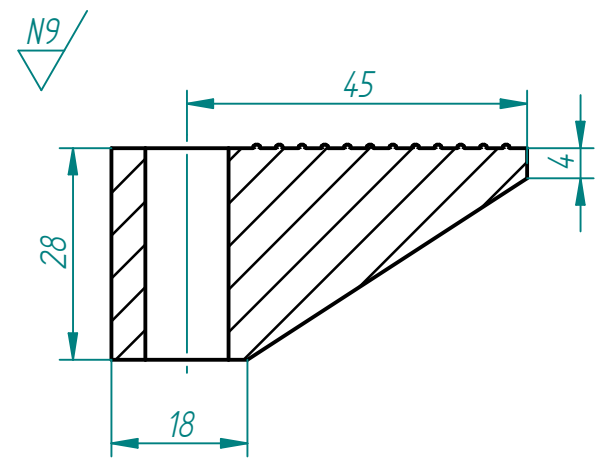
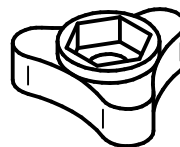
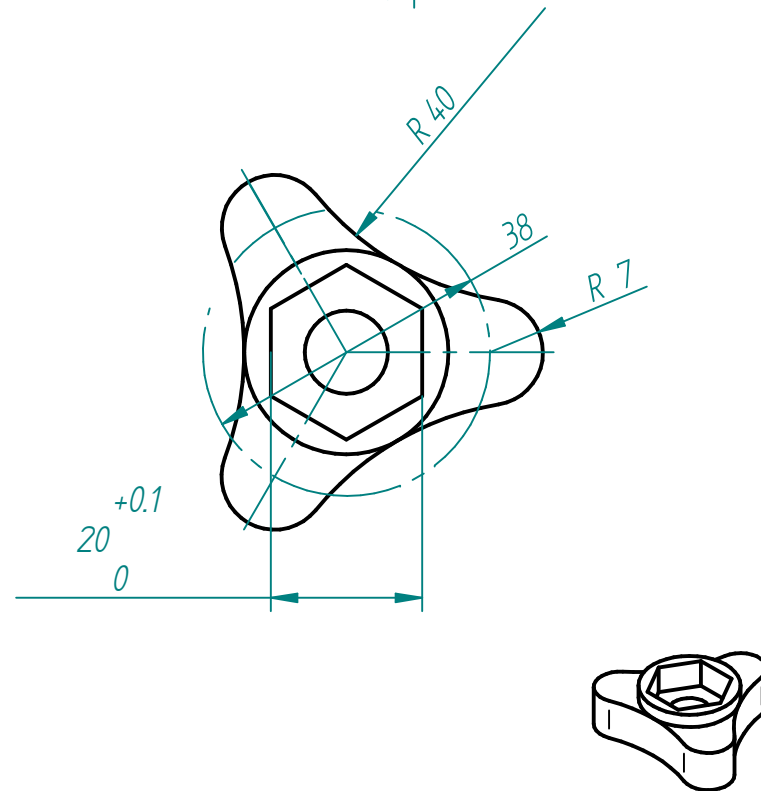
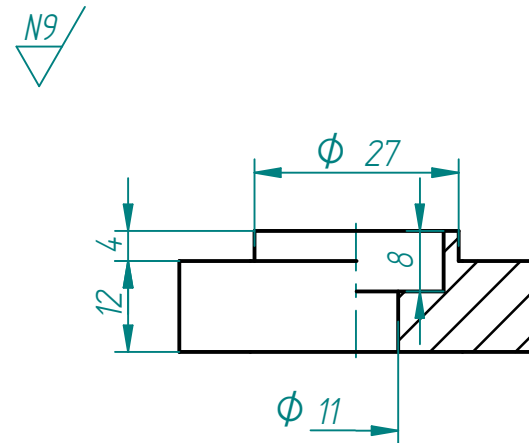


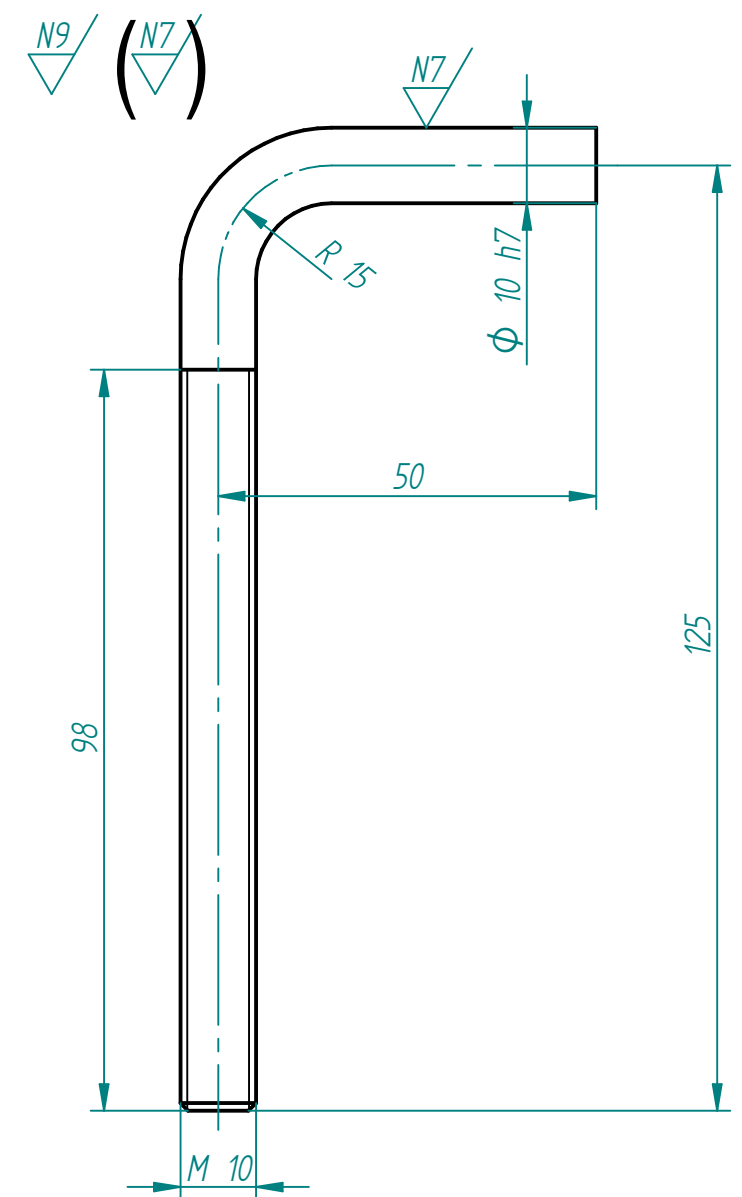
3



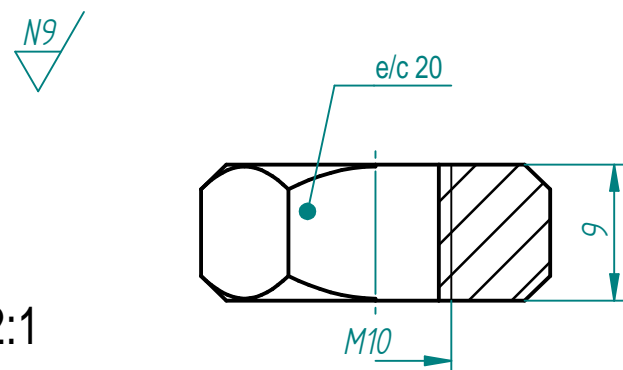
5



2



4




E = 2:1

Iturrondobeitia Ellacuria, M.
López Soto, J.
Toledo Gandarias, N.
Jimbert Lacha, P.J.
Herrero Bengoechea, M.I.
Caro Rodríguez, J.L.

CAD using Solid Edge. Resolution of assemblies based on PBL methodology. Open Course Ware 2016.

UPV/EHU
Solid Edge-ekin egindako irudia

1	Matching	5	F-1100
1	Screw	4	F-1100
1	Clamp	3	F-1100
1	Threaded shaft	2	F-1100
	NAME		F-1100
Nº PIECE	NAME	LABEL	MATERIAL

family name:		eman ta zabal zazu		U.P.V. - E.H.U.		
name:				E.U. de Ingeniería Técnica Ind. de Bilbao		
Zk./Nº:	Group:	Date:		Bilboko Ind. Ingeniaritza Teknikorako U.E.		
Titulua/Titulación:		Esk./Escala:		nº.:		
Gen. Tol		1:1		Amount		
HOLDER FOR A READING LAMP				Calification:		