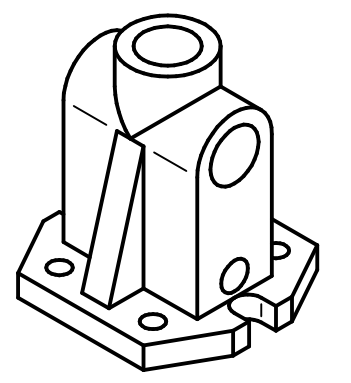
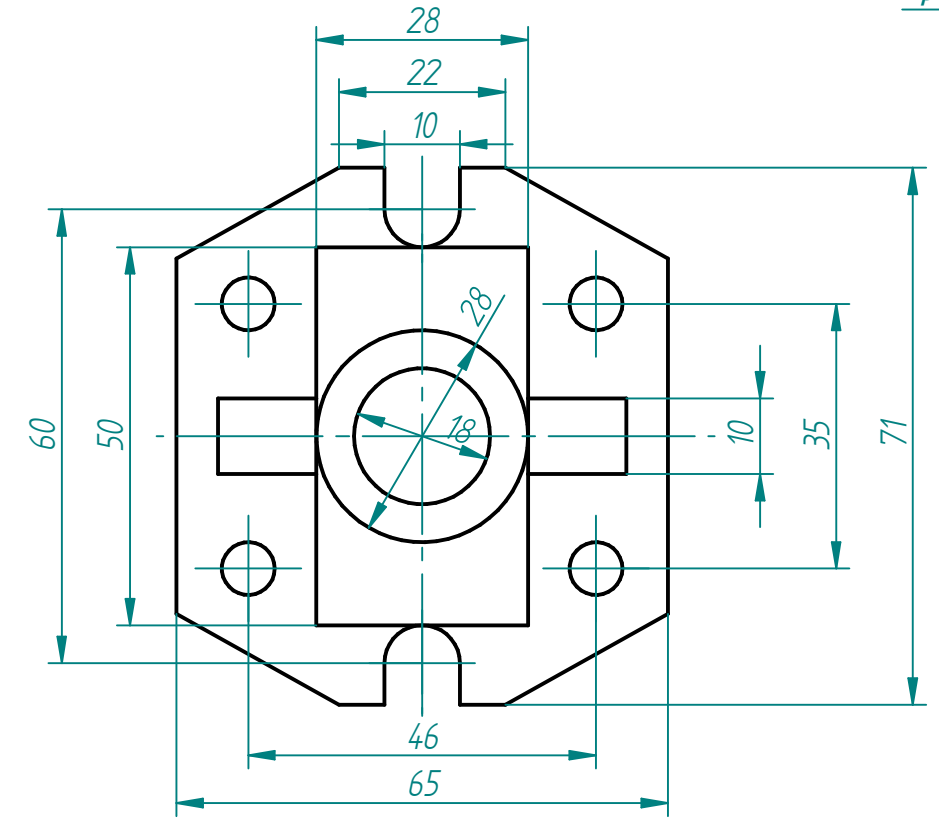
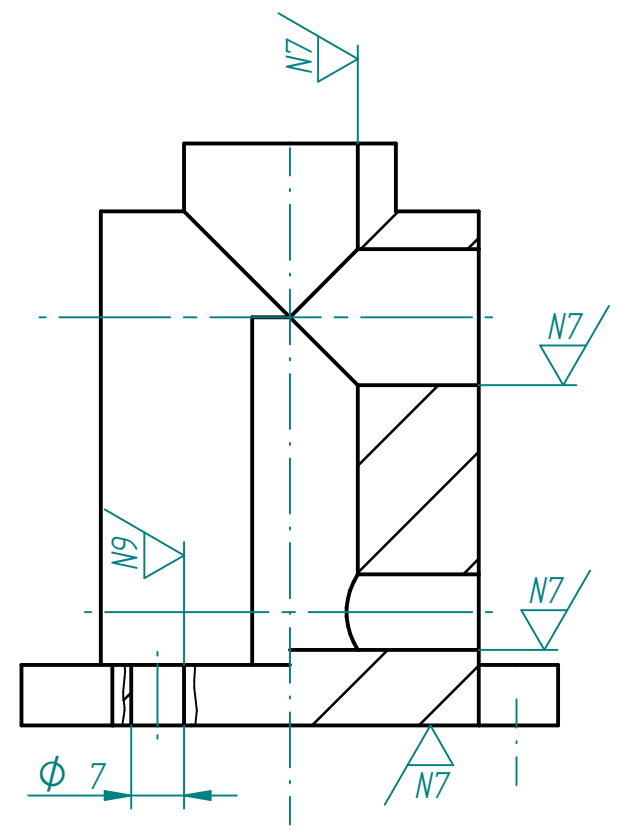
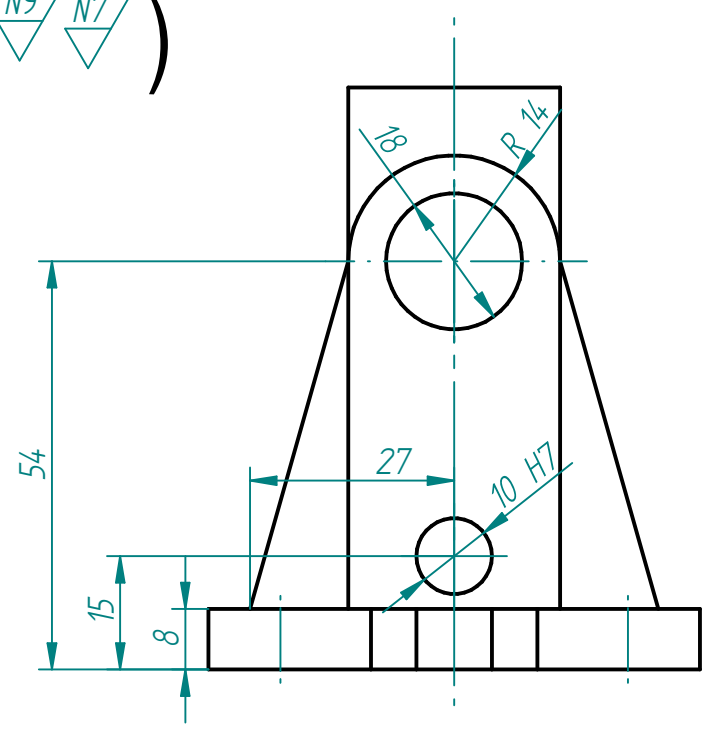
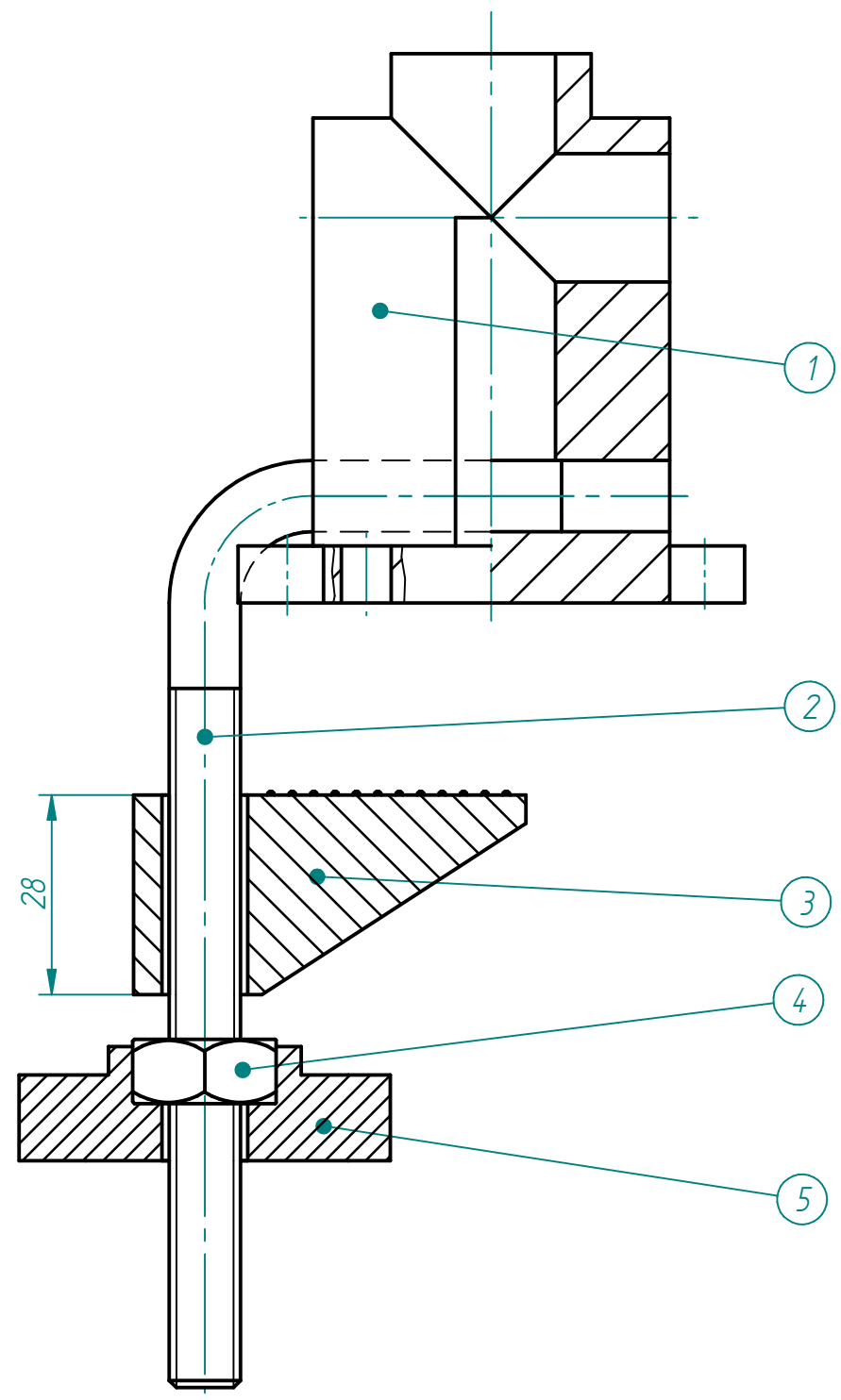


1  $\nabla N12 / ( \nabla N9 / \nabla N7 )$


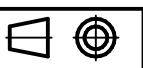


Iturrondobeitia Ellacuria, M.  
 López Soto, J.  
 Toledo Gandarias, N.  
 Jimbert Lacha, P.J.  
 Herrero Bengoechea, M.I.  
 Caro Rodríguez, J.L.

CAD using Solid Edge. Resolution of assemblies based on PBL methodology. Open Course Ware 2016

UPV/EHU

SOLID EDGE ACADEMIC COPY

1	Body	1	F-8100
Nº PIECE	NAME	LABEL	MATERIAL
Family name:		eman ta zabal zazu	
name:		U.P.V. - E.H.U.	
Zk./Nº:	Group	Date:	E.U. de Ingeniería Técnica Ind. de Bilbao Bilboko Ind. Ingeniaritza Teknikorako U.E.
Titulua/Titulación:			
	Esk./Escala:	nº.:	
Gen. Tol:l	HOLDER FOR A READING LAMP	Amount:	
		Calification:	